

# **BIG-R** EC Axial Fan

Product overview





# **Horia** BIG-R

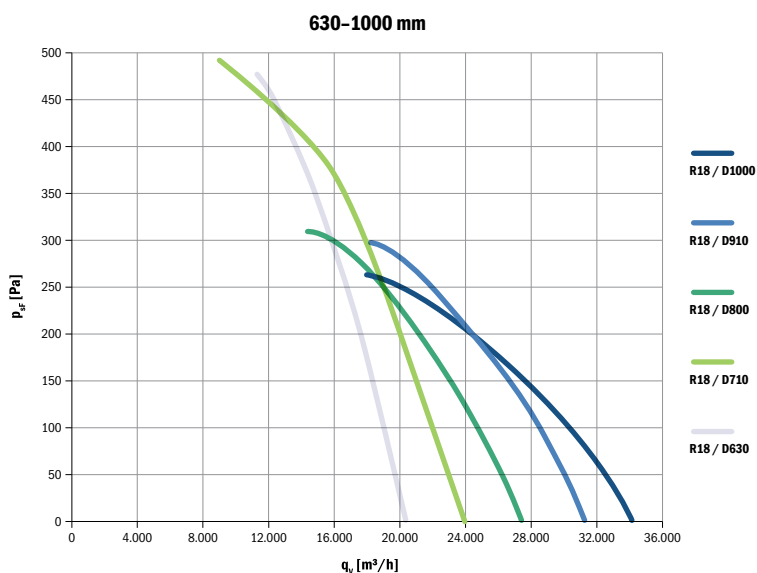
## **Features and advantages**

- High-efficient, and energy saving (up to 10%)
- Low noise operation
- Appropriate for higher outside ambient temperature
- Longer life time
- Integrated Connectivity and Control functions
- Custom adoptable and flexible
- Sustainable and green oriented

# Fan Diameter 630–1000 mm

EC motor family	R18	R18	R18	R18	R18
Diameter range	630 mm	710 mm	800 mm	910 mm	1000 mm
Motor type (stack height)	90 mm	90 mm	120 mm	120 mm	120 mm
Nominal voltage	400 V	400 V	400 V	400 V	400 V
Frequency	50/60 Hz	50/60 Hz	50/60 Hz	50/60 Hz	50/60 Hz
Nominal speed	1660 Rpm	1600 Rpm	1140 Rpm	1130 Rpm	955 Rpm
Power input range	3100 W	3400 W	2900 W	3000 W	2800 W
Max. air volume (free air flow)	20.000 m <sup>3</sup> /h	24.000 m <sup>3</sup> /h	28.000 m <sup>3</sup> /h	32.000 m <sup>3</sup> /h	35.000 m <sup>3</sup> /h
Protection class	IP55	IP55	IP55	IP55	IP55
Overall Efficiency	44,9 %	53,50 %	46,3 %	51,4 %	52,3 %
Efficiency grade N	50,7	56,5	52,9	57,7	59,1
Insulation class	155	155	155	155	155
Min. amb. temperature	-35°C	-35 C	-35°C	-35°C	-35°C
Max. amb. temperature	65°C	65 C	65°C	65°C	65°C
Speed control options	0-10V, 4-20 mA, PWM, MODBUS RTU, NFC	0-10V, 4-20 mA, PWM, MODBUS RTU, NFC	0-10V, 4-20 mA, PWM, MODBUS RTU, NFC	0-10V, 4-20 mA, PWM, MODBUS RTU, NFC	0-10V, 4-20 mA, PWM, MODBUS RTU, NFC

## AD specifications



## Custom adoptable and flexible

BIG-R is fully custom adoptable and flexible in order to reach best result in any working condition.

The winning advantage is better overall efficiency in comparison with standard Fan solution.

A simple comparison of electricity cost savings for 10 operating BIG-R units in the period of 15 years will convince you to consider and equip your applications with our Fans in the future.

Available range it starts at 630 mm up to 1000 mm Axial Fan diameter.

From the initial research and development through the construction and the materials definition and purchase, we care very much about sustainable usage of all materials built in our units.

## ■ NFC (Near Field Communication) ready

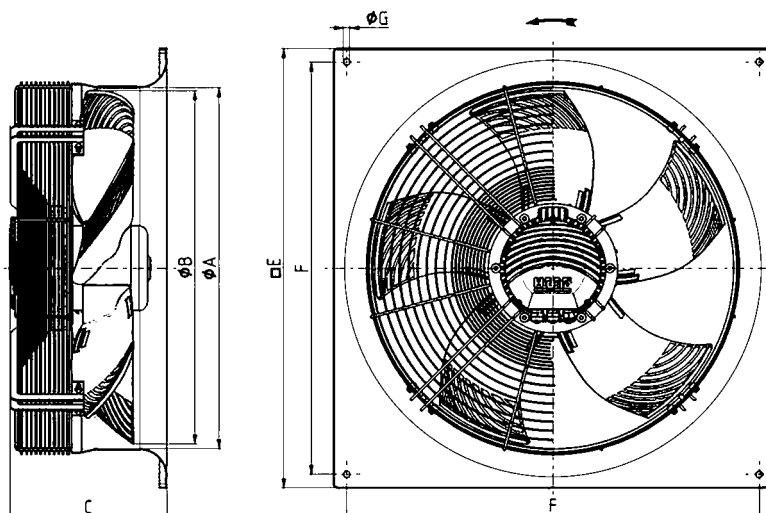
Let's reduce energy consumption of your HVAC systems with high-efficient energy saving solution using our newest Axial Fan model BIG-R.

Patented thermal barrier is bringing lower ambient temperature to the electronic zone. Operating temperature of electrical motor can be up to 155 deg. C, while temperature at BIG-R electronic zone is limited to 85 deg. C at the same time. Because of that BIG-R is ready to operate at higher outside ambient temperatures keeping the same electrical insulation class and operational performance.

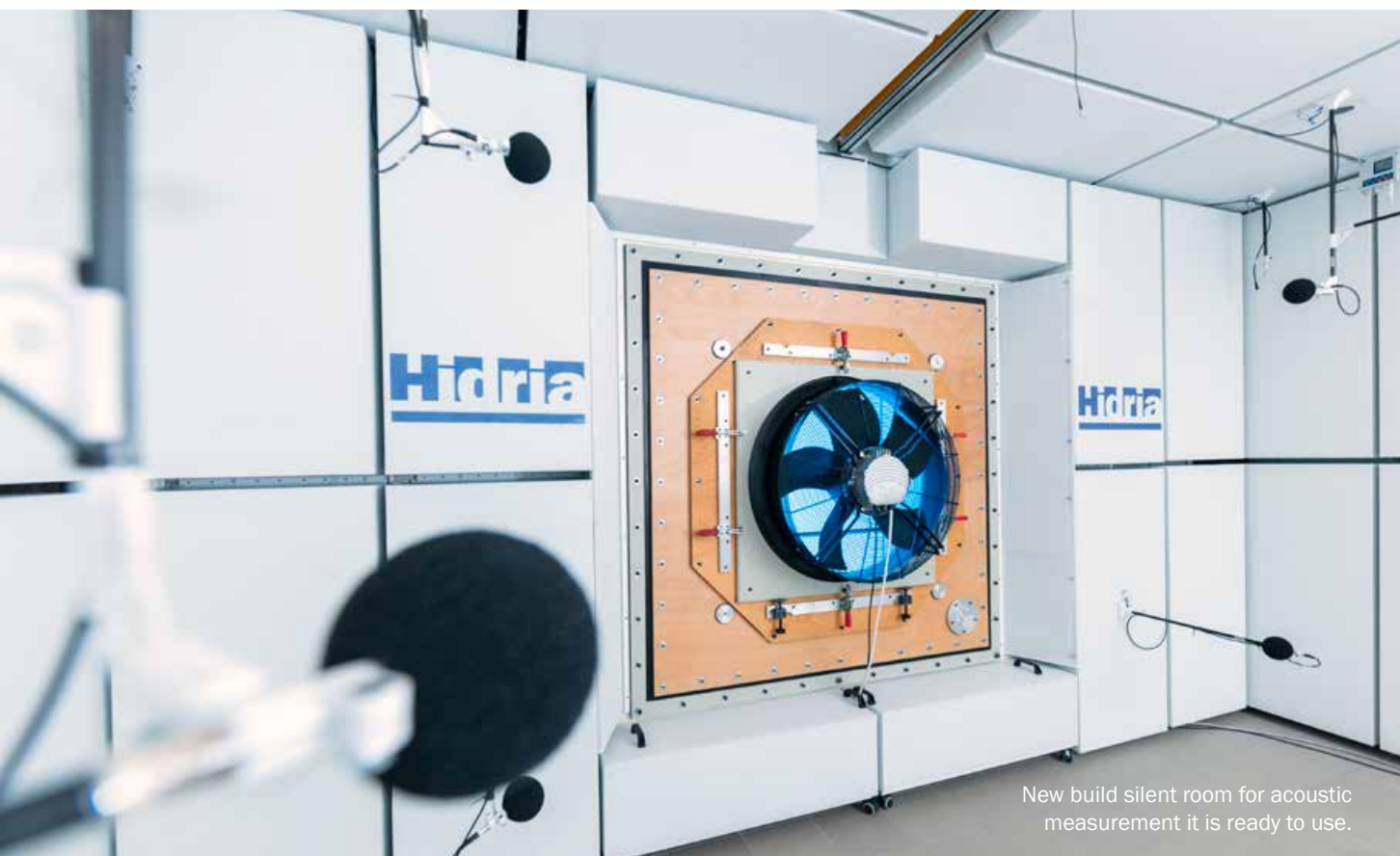
An important mechanical design up-date is introduced into BIG-R solution in order to assure longer life time. New design even exceed forthcoming ERP efficiency requirements.

By robust enlarged solution of ball bearing with larger outside diameter and increased thickness BIG-R has lower radial forces, increased de-balance resistance and it is ready for hard ambient-working conditions.

BIG-R has User Friendly Inverter unit with easy single tool mounting or dismounting. The fan unit it is also NFC (Near Field Communication) ready.



EC motor family	R18 (mm)	R18 (mm)	R18 (mm)	R18 (mm)	R18 (mm)
Diameter range	630	710	800	910	1.000
ØA	634	711	797	914	1.000
ØB	626	702	786	904	988
C	282	304	347	352	326
E	805	850	970	1.170	1.170
F	750	810	910	1.110	1.110
ØG	11	14,5	14,5	14,5	14,5



New build silent room for acoustic measurement it is ready to use.

# Reduce energy consumption

Hidria is an established provider of innovative energy-efficient AC and EC electrical motors and fans for heating, ventilation, air-conditioning, refrigeration and other applications.

## **Most efficient condenser fan**

Using 50 years of engineering knowledge, we are offering to the market new, innovative and custom-designed high tech solutions with optimal flexibility and quality.

Low noise, longer life time, fully integrated connectivity and control, adoptability and flexibility are main features of BIG-R Fans.

But what counts the most is High-efficiency and energy savings.



## Sales and distribution:

### AUSTRALIA AND NEW ZEALAND

BEIJER REF AUSTRALIA  
10/88 Dynon Road  
3003 West Melbourne  
VIC Australia  
T: +613 9371 1300  
F: +613 9372 5580  
E: info@beijerref.com.au

### MIDDLE EAST

NASER AL SAYER & CO. L.L.C.  
P.O. Box 1825  
Al Maktoum Hospital Road,  
Deira, Dubai, U.A.E.  
T: 00971-4-2222-471  
E: nascomt@emirates.net.ae  
www.nasco-uae.com/  
refrigeration

ZILAL COOLING & TRADING  
EST. P.O. Box 27959 - 11427  
Al Ihsa Street,  
Riyadh, Saudi Arabia  
T: 00966-11-4790340  
E: abd@zilalcooling.com  
www.zilalcooling.com

EBRAHIM AL-JASSIM SONS  
TRADING CO., LTD.  
PO Box.102, King Kaled St.  
DAMMAM-31411, Saudi Arabia  
T: +966 13 8332109 Extn. 111  
E: mejassim@al-jassim.com

### CHINA

Zhejiang RUIXUE Refrigeration  
Equipment Technology Co., Ltd.  
No.188 Jiaocang Road,  
Ganlin Industrial Zone  
Shengzhou City, Zhejiang  
Province, China  
T: +86 21 54198596  
M: +86 173 1715 4744  
F: +86 21 5419 8522  
E: tiffany.s@shemth.com  
www.shemth.com

### SOUTH KOREA

DAESUNG MAREF CO., LTD  
851-8, Hwasan-ri Ujeong-eup  
Hwaseong city Gyeonggi-do,  
Korea  
T: +82 31 421 8883  
E: dsc@dsmaref.com

### SOUTHEAST ASIA

Dixell (Asia) Co., Ltd.  
2893, 2895 Phattanakan Road  
Suanluang 10250,  
Bangkok, Thailand  
T: +66 2 722 0245-9  
F: +66 2 320 2520  
E: dixell@dixellasia.com  
www.dixellasia.com

### BELGIUM

Refritec bvba/sprl  
Weiveldlaan 7  
1930 Zaventem  
T: +32 (0)2 715 24 44  
F: +32 (0)2 715 24 46  
E: info@refritec.be  
www.refritec.be

### NEDERLAND

BEIJER REF SUPPORT BV  
Westfields 1210  
5688 HA Oirschot Nederland  
www.beijerref.nl  
T: +31 180 751 300  
F: +31 180 751 305

### SERBIA

FRIGO RADAK COMPANY D.O.O.  
Đurđevdanska 20  
11000 Beograd, Serbia  
T: +381 11 3945577  
M: +381 63 318539  
E: bobanradak@yahoo.com  
www.frigoradak.com

### SLOVENIA

EMPOR d.o.o.  
Leskoškova 9a,  
1000 Ljubljana  
T: +386 1 5203820  
E: empor@empor.si  
www.empor.si

### SPAIN

Refrigeration & Climate  
Control, S.L.U.  
Calle 2A, 7 ; Pol. Ind. Tactica  
46980 Paterna (Valencia),  
Spain  
T: 0034-96-159-49-33  
E: direccion@r-cc.es  
www.r-cc.es

### SWEDEN AND DENMARK

ARMATEC AB  
Betagatan 1,  
431 49 Mölndal, Sweden  
T: +46 31890100  
E: info@armatec.se  
www.armatec.se



### Hidria d. o. o.

Spodnja Kanomlja 23  
5281 Spodnja Idrija  
Slovenia  
T: +386 5 375 60 00  
E: sales.fans@hidria.com  
www.hidria.com



**FAN SELECTION**  
Scan QR code or visit:  
fanselection.hidria.com

